

DC motor gear motor Motor for intelligent robot

specifics

Efficiency:IE 2
Continuous Current(A): 50-230ma
Output Power: 2 W
Voltage(V):dc 1.5-9V
Torque: 0.035kg.cm-4kg.cm
Type:Gear Motor
Construction:Permanent Magnet
Protect Feature: Explosion-proof
Usage:Car,Electric Bicycle
Certification:CE,ROHS

Speed(RPM):

3V: 5rpm 10rpm 23rpm 32rpm 53rpm 112rpm 240rpm 545rpm
6V: 10rpm 20rpm 46rpm 64rpm 106rpm 224rpm 480rpm 1090rpm

Remark:Pls confirm the voltage and speed before ordering.

Specifications

1.Standard Operating Conditions

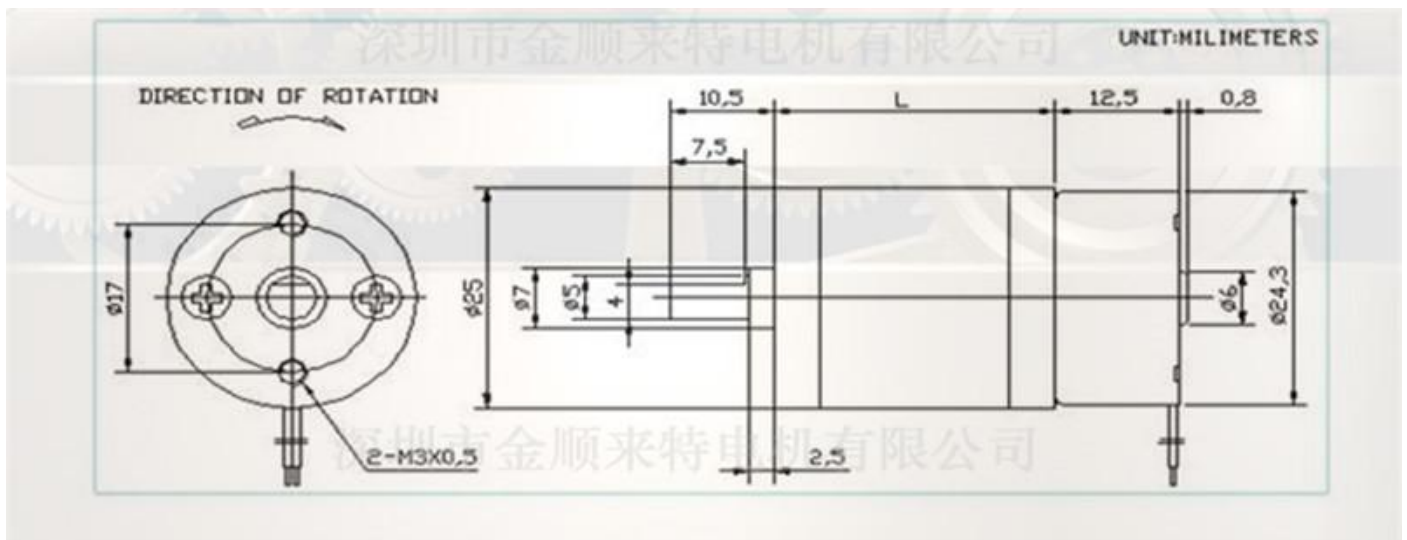
- 1-1 Rated Voltage: **3V 6V**
- 1-2 Direction of Rotation:CW when viewed from output shaft side
- 1-3Operating Temperature and Humidity:Temperature range of **-10C~+50C**,Humidity range of **30%~80%**.
- 1-4Storage Temperature:Temperature range of **-20C~+60C**

2.Measuring Conditions:

- 2-1Motor Position:To be place t horizontally when measuring
- 2-2Power Supply: Regulated DC power supply
- No load speed: **5-1090RPM**
- Robotics, Small Appliance, Fanner, Electric Curtain;
- Medical Pump, Surgery Tools, Medical Stirrer, centrifugal Machine; Electric Valve, Actuator, medical device.
- Electric motor,low noise,low current and no spark.

Ratio: **1/4.4,1/9.28,1/21.3,1/34,1/45,1/78,1/103,1/171,1/226,1/378,1/500.**

Size:



Relation about Voltage and speed (rpm)

型號: JGA25-300				參數表								
型號	電壓		空載		最大效率點				堵轉		減速器	
	Voltage		Noload		At Max. Efficiency				Stall		Speedreducer	
	使用範圍	額定值	轉速	電流	轉速	電流	扭矩	功率	扭矩	電流	減速比	長度
Model	Using	The	Speed	Current	Speed	Current	Torque	Power	Torque	Current	Reduction	(L)Size
	Range	Rated	r/min	ma	r/min	ma	kg. cm	W	kg. cm	A	Ratio	mm
JGA25-300	3-6v	6V	1590	50	1113	230	0.035	2	0.15	0.5	4.4	15
	3-6v	6V	754	50	565	230	0.07	2	0.28	0.5	9.28	17
	3-6v	6V	238	50	216	230	0.17	2	0.68	0.5	21.3	19
	3-6v	6V	205	50	143	230	0.2	2	0.8	0.5	34	21
	3-6v	6V	155	50	80	200	0.35	2	1.4	0.5	45	21
	3-6v	6V	89	50	62	200	0.6	2	2.4	0.5	78	23
	3-6v	6V	67	50	46	200	0.8	2	3.2	0.5	103	23
	3-6v	6V	40	50	28	200	1.3	2	5	0.5	171	25
	3-6v	6V	30	50	21	200	1.8	2	7	0.5	226	25
	3-6v	6V	18	50	12	200	3	2	12	0.5	378	27
3-6v	6V	14	50	9	200	4	2	16	0.5	500	27	