

DC motor gear motor Motor for intelligent robot

specifics

Efficiency:IE 1
 Continuous Current(A): 60ma
 Output Power: 0.5 W
 Voltage(V):dc 6V
 Torque: 0.05kg.cm-2kg.cm
 Type:Gear Motor
 Construction:Permanent Magnet
 Protect Feature: Explosion-proof
 Usage:Car,Electric Bicycle
 Certification:CE,ROHS

Speed(RPM):

6v: 222rpm 105rpm 21rpm

Remark:Pls confirm the voltage and speed before ordering.

Specifications

1.Standard Operating Conditions

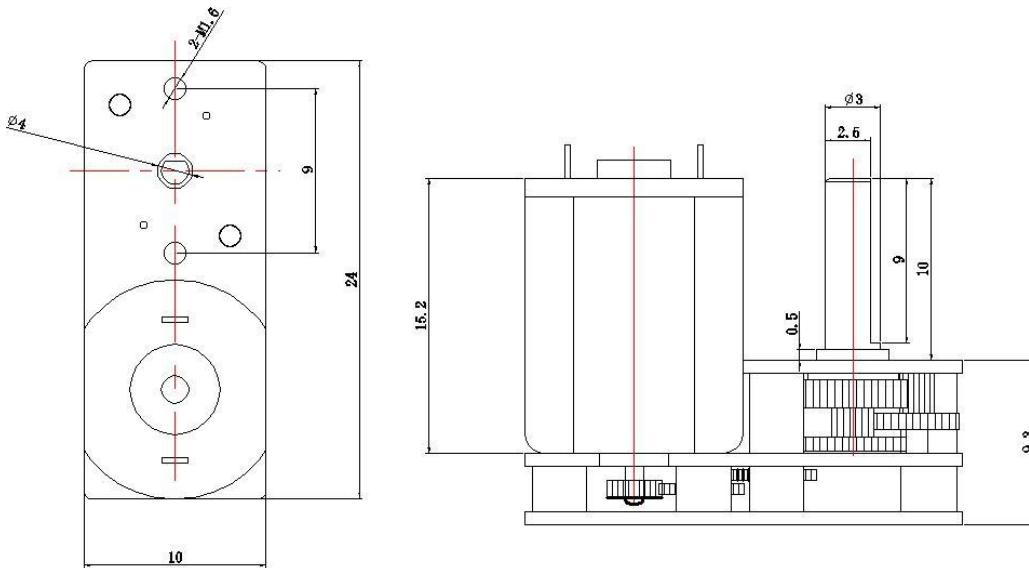
- 1-1 Rated Voltage: **12V**
- 1-2 Direction of Rotation: CW when viewed from output shaft side
- 1-3 Operating Temperature and Humidity: Temperature range of **-10C~+50C**, Humidity range of **30%~80%**.
- 1-4 Storage Temperature: Temperature range of **-20C~+60C**

2.Measuring Conditions:

- 2-1 Motor Position: To be place t horizontally when measuring
- 2-2 Power Supply: Regulated DC power supply
- No load speed: **2.5-201RPM**
- Robotics, Small Appliance, Fanner, Electric Curtain;
- Medical Pump, Surgery Tools, Medical Stirrer, centrifugal Machine; Electric Valve, Actuator, medical device.
- Electric motor, low noise, low current and no spark.

Ratio: **1/10, 1/45, 1/95, 1/466.**

Size:



Relation about Voltage and speed (rpm)

Voltage		No Load		Load Torque				Stall		Reducer	Weight
Workable Range	Rated Volt.V	Speed rpm	Current ma	Speed rpm	Current ma	Torque kg.cm	Output W	Torque kg.cm	Current A	Ratio	g
3-12V	6V	222	60	155	130	0.45	0.5	3	600	45	19
3-12V	6V	105	60	73	120	0.95	0.5	5	600	95	19
3-12V	6V	21	60	14	100	2	0.5	15	600	466	19