

DC Gear electric Motor 6-12V,high torque electric motor,Encoder code disc geared motor

specifics

Efficiency:IE 2
Continuous Current(A):1A
Output Power: 8W
Voltage(V):dc 6-12v
Torque: 1-60kg.cm
Type:Gear Motor
diameter: 37mm
Construction:Permanent Magnet
Protect Feature:
Usage:Car,Electric Bicycle
Certification:CE,ROHS

Speed(RPM):

12V: 960rpm 600rpm 319rpm 200rpm 107rpm 66rpm 45rpm 35rpm 22rpm 11rpm 7rpm

Remark:Pls confirm the voltage and speed before ordering.

Specifications

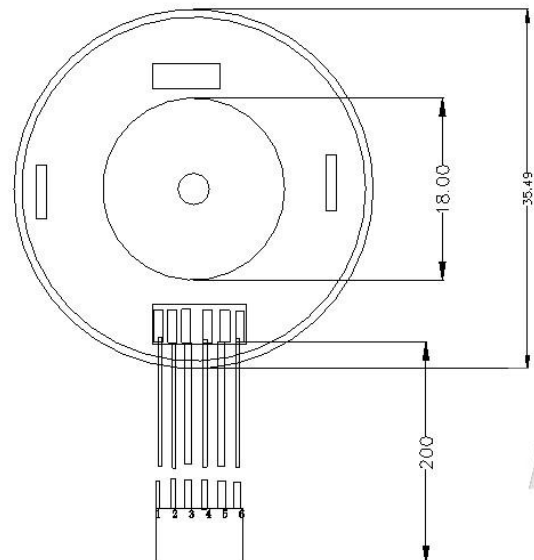
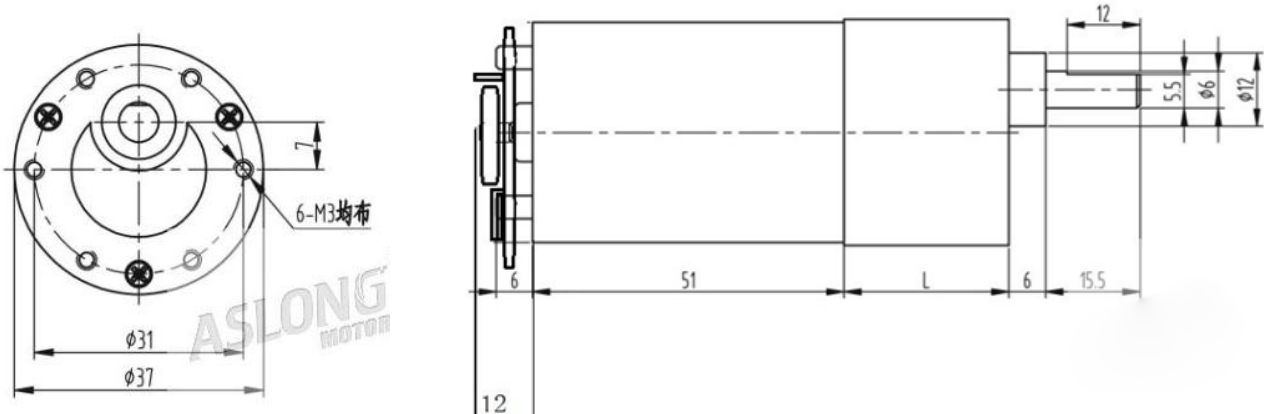
1.Standard Operating Conditions

- 1-1 Rated Voltage: **12v 6V**
- 1-2 Direction of Rotation:CW when viewed from output shaft side
- 1-3Operating Temperature and Humidity:Temperature range of **-10C--+50C**,Humidity range of **30%~80%**.
- 1-4Storage Temperature:Temperature range of **-20C--+60C**

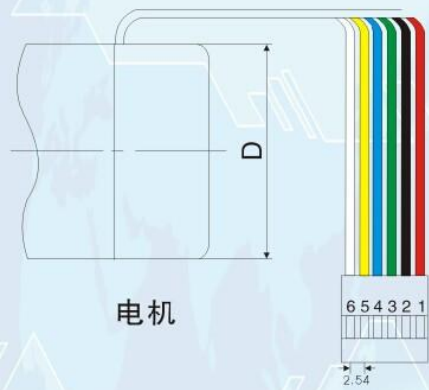
2.Measuring Conditions:

- 2-1Motor Position:To be place t horizontally when measuring
- 2-2Power Supply: Regulated DC power supply
- No load speed:**7-960rpm**.
- Robotics, Small Appliance, Fanner, Electric Curtain;
- Medical Pump, Surgery Tools, Medical Stirrer, centrifugal Machine; Electric Valve, Actuator, medical device.
- Electric motor,low noise,low current and no spark.
- Reduction ratio: **1/6,1/10,1/18.8,1/30,1/56,1/90,1/131,1/168,1/270,1/506,1/810**

Size:

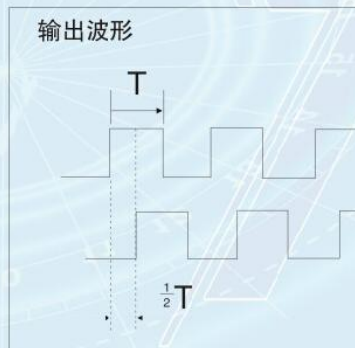
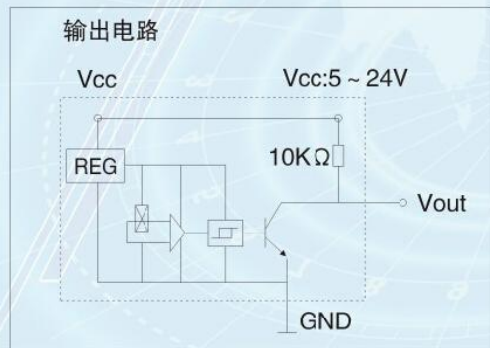


编码器连接:



1. MOTOR+
2. MOTOR-
3. HALL SENSOR GN
4. HALL SENSOR Vcc
5. HALL SENSOR A V
6. HALL SENSOR B V

Dmm	12	16	20	24	28	36
A,B	3	3	12	12	16	16



Model	parameter											
	Voltage		Noload		At Max.Efficiency				Stall		Speedreducer	
	Using	The	Speed	Current	Speed	Current	Torque	Power	Torque	Current	Redction	(L)Size
	Rangge	Rated	r/min	A	r/min	A	kg.cm	W	kg.cm	A	Ratio	mm
	6-24V	12V	960	0.2	672	1	1	8	9	3	6.25	19
	6-24V	12V	600	0.2	450	1	1.5	8	15	3	10	19
	6-24V	12V	319	0.2	239	1	3	8	25	3	18.8	22
	6-24V	12V	200	0.2	150	1	5	8	45	3	30	22
	6-24V	12V	107	0.2	80	1	8	8	50	3	56	24
	6-24V	12V	66	0.2	52	1	13	88	60	3	90	24
	6-24V	12V	45	0.2	36	1	19	8	ban	3	131	26.5
	6-24V	12V	35	0.2	29	1	25	8	ban	3	168	26.5
	6-24V	12V	22	0.2	18	1	40	8	ban	3	270	26.5
	6-24V	12V	11	0.2	9	1	60	8	ban	3	506	29
	6-24V	12V	7	0.2	6	1	60	8	ban	3	810	29