

Mini Metal Gear Motor Low-speed Motor Robot Motor with Metal Gear Box N20 DC Motor of Miniature

specifics

Efficiency:IE 2

Continuous Current(A):160ma

Output Power: 0.35W

Voltage(V):dc 3-12v

Torque: 0.081kg.cm-1.1kg.cm

Type:Gear Motor

diameter: 12mm

Construction:Permanent Magnet

Protect Feature: waterproof

Usage:Car,Electric Bicycle

Certification:CE,ROHS

Speed(RPM):

6V: 500rpm 300rpm 150rpm 50rpm

Remark:Pls confirm the voltage and speed before ordering. 3v's parameter is the half of 6v,and 12v is twice of 6v, so in voltage 12V of 500rpm ist 1000rpm

Specifications

1.Standard Operating Conditions

1-1 Rated Voltage: **3v,6v,12v**

1-2 Direction of Rotation:CW when viewed from output shaft side

1-3Operating Temperature and Humidity:Temperature range of **-10C~+50C**,Humidity range of **30%~80%**.

1-4Storage Temperature:Temperature range of **-20C~+60C**

2.Measuring Conditions:

2-1Motor Position:To be place t horizontally when measuring

2-2Power Supply: Regulated DC power supply

--No load speed:**25-1000rpm**.

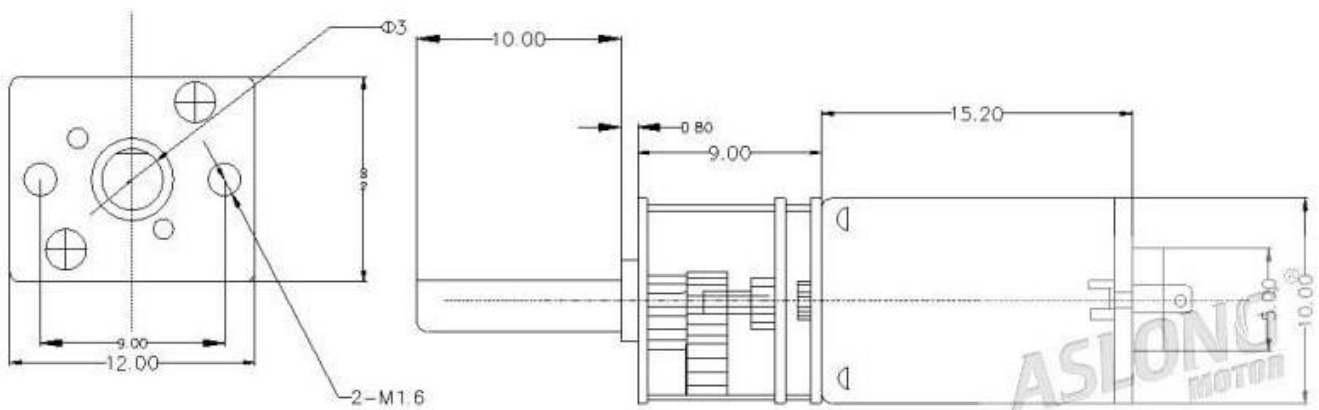
--Robotics, Small Appliance, Fanner, Electric Curtain;

--Medical Pump, Surgery Tools, Medical Stirrer, centrifugal Machine; Electric Valve, Actuator, medical device.

--Electric motor,low noise,low current and no spark.

--Reduction ratio: **1/30,1/50,1/100,1/298**.

Size:



relation about Voltage and speed (rpm)

型號: JGA12-N20		參數表										
型號	電壓		空載		最大效率點				堵轉		減速器	
	Voltage		Noload		At Max. Efficiency				Stall		Speedreducer	
	使用範圍	額定值	轉速	電流	轉速	電流	扭矩	功率	扭矩	電流	減速比	長度
Model	Using	The	Speed	Current	Speed	Current	Torque	Power	Torque	Current	Redction	(L) Size
	Rangge	Rated	r/min	ma	r/min	ma	kg. cm	W	kg. cm	A	Ratio	mm
JGA12-N20-30	3-12V	6V	500	40	375	160	0.081	0.35	0.4	0.55	30	9
JGA12-N20-50	3-12V	6V	300	40	225	155	0.14	0.35	0.7	0.55	50	9
JGA12-N20-100	3-12V	6V	150	40	120	155	0.35	0.35	1.75	0.55	100	9
JGA12-N20-298	3-12V	6V	50	40	40	140	1.1	0.35	5.5	0.55	298	9

Remark: 3v's parameter is the half of 6v, and 12v is twice of 6v, pls confirm the voltage and speed before ordering.