

## 12-36V Motor 7-960rpm Gear Motor Reversible 12V Electric Motors D Shaft For Diy Experiment

### Item specifics

Efficiency:IE 2

Voltage(V):dc 12-24V

Torque: 0.8-60kg.cm

Type:Gear Motor

Output Power: 15w

Construction:Permanent Magnet

Protect Feature: Explosion-proof

Usage:Car,Electric Bicycle

Certification:CE,ROHS

Speed(RPM):

24V: 960rpm 600rpm 319rpm 200rpm 107rpm 66rpm 45rpm 35rpm 22rpm 12rpm 7rpm

**Remark:Pls confirm the voltage and speed before ordering.**

### Specifications

#### 1.Standard Operating Conditions

1-1 Rated Voltage: **12-36V**

1-2 Direction of Rotation: CW when viewed from output shaft side

1-3 Operating Temperature and Humidity: Temperature range of **-10C~+50C**, Humidity range of **30%~80%**.

1-4 Storage Temperature: Temperature range of **-20C~+60C**

#### 2.Measuring Conditions:

2-1 Motor Position: To be placed horizontally when measuring

2-2 Power Supply: Regulated DC power supply

--No load speed: 7-1600rpm.

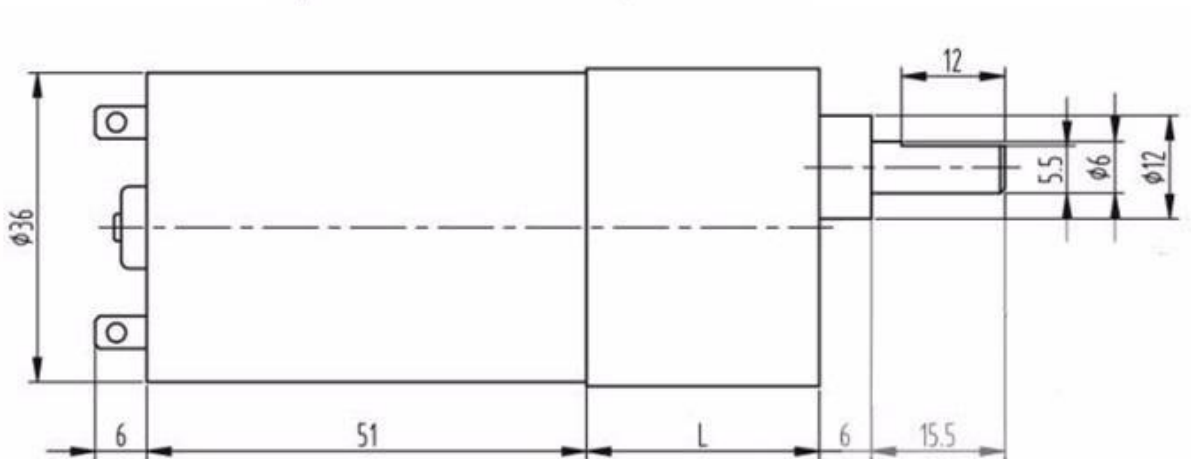
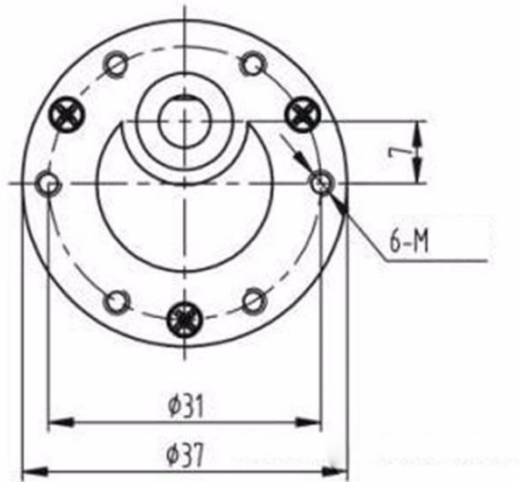
--Robotics, Small Appliance, Fanner, Electric Curtain;

--Medical Pump, Surgery Tools, Medical Stirrer, centrifugal Machine; Electric Valve, Actuator, medical device.

--Electric motor, low noise, low current and no spark.

--Reduction ratio: **1/6,25,1/10,1/18.8,1/30,1/56,1/90,1/131,1/168,1/270,1/506,1/810**

Size:



relation about Voltage and speed (rpm)

GB37-545												
Parameter												
Voltage		No Load		Load Torque				Stall		Reducer		Weight
Workable	Rated	Speed	Current	Speed	Current	Torque	Output	Torque	Current	Ratio	Size	Unit
Range	Volt.V	rpm	ma	rpm	A	kg.cm	W	kg.cm	A	1:00	mm	g
12-36V	24V	960	140	672	0.5	0.8	15	4	3	6.25	19	260
12-36V	24V	600	140	480	0.5	1.2	15	4.8	3	10	19	260
12-36V	24V	319	140	255	0.5	1.5	15	6	3	18.8	22	265
12-36V	24V	200	135	160	0.4	4.5	15	18	3	30	22	265
12-36V	24V	107	135	85	0.35	8	15	32	3	56	24	265
12-36V	24V	66	135	52	0.35	13	15	52	3	90	24	265
12-36V	24V	45	135	36	0.35	19	15	76	3	131	26.5	
12-36V	24V	35	135	28	0.35	25	15	prohibited	3	168	26.5	270
12-36V	24V	22	135	17	0.35	40	15	prohibited	3	270	26.5	270
12-36V	24V	12	135	9	0.35	60	15	prohibited	3	506	29	280
12-36V	24V	7	135	5.5	0.35	60	15	prohibited	3	810	29	280