

# DC 12V 10A gear box Gearhead Reducer Electric worm geared motor Large High power Big torque Low speed Industry machinery

## Technical specifications

Efficiency class: IE2

Type: geared motor

Output power: 90W

Import protection: drip proof / IP50

Working voltage: DC12V or DC24V

Rated current: 10A on voltage, 6.5A on voltage 10A

Reduction ratio = 1: 100 to 1: 5

Idle speed: 12 rpm to 330rpm

Rated torque: 300kg.cm-26kg.cm

Diameter of shaft: 18 mm at ratio 1: 100, and others is 14mm

Size: 280 \* 96 \* 135mm / 255 \* 96 \* 115

Box material: zinc alloy, galvanizing

Worm wheels Material: metal

Worm Materials: Cu (Cuprum)

Commutation: Brush

## Product Description

Worm gearbox / geared motor is made up of two parts of gearbox and motor

High accuracy worm gear and worm shaft

Easy assembly and networking, high efficiency

High quality, high gear ratio, high performance worm gear

High torque can achieve industrial requirement.

Self-locking Function: With self-locking function, ie when the power is turned off, the motor will not run.

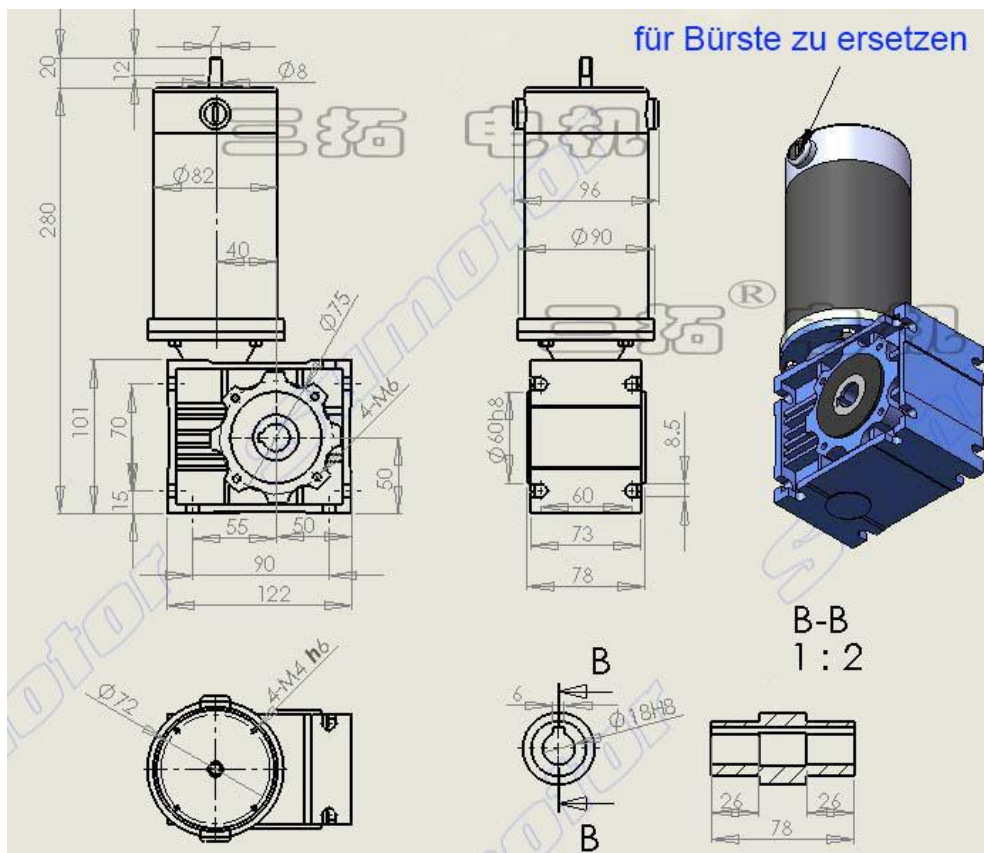
Transmission output shaft and the motor shaft are arranged vertically, and therefore, it is widely used in various occasions requiring a particular installation size.

Application: windows and doors opening, pressing, mini-winch, conveyor technology, packaging technology, lifting equipment as well as other occasions.

Speed fast, nominal torque small. Speed slow, nominal torque large, you are inversely proportional

In the end, this motor has the output shaft, to easily install an encoder.

Size:



SC20091 has the voltage of 12v and 24v. Each voltage has 11 reduction ratio for you to select. And in various reduction ratios, the transmission motor has various technical data. There are various types of worm gears as follows:

Danger

There are several options about idle speed

20 27 33 41 55 82 165 220 330 etc. rpm (without load)

Give a notice or comment in what you need!

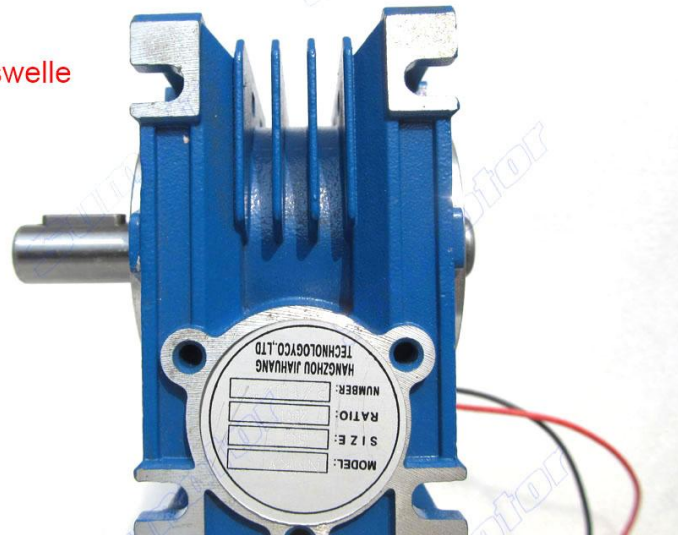
Or we will send standard model 20rpm voltage 12V.

Modell	Spannung	Leerlauf drehzahl r/min	Ladegeschwindigkeit r/min	Nenn Drehmoment (N•cm)	Nenn Strom (A)	Nennleistung	Größe(keine Welle)	Welle-Bohrungsdurchmesser
SC20091 1:100	DC12V	12	9	3000N.CM	10A	90W	280*96*135	φ18mm
SC20091 1:80		15	11	1500N.CM				
SC20091 1:60		20	15	1900N.CM				
SC20091 1:50		24	18	2100N.CM				
SC20091 1:40		30	22	1800N.CM				
SC20091 1:30		40	30	1450N.CM				
SC20091 1:20		60	45	1050N.CM				
SC20091 1:15		90	67	700 N.CM				
SC20091 1:10		120	90	530 N.CM				
SC20091 1:7.5		160	120	400 N.CM				
SC20091 1:5		240	180	260 N.CM				

Modell	Spannung	Leerlauf drehzahl r/min	Ladegeschwindigkeit r/min	Nenn Drehmoment (N•cm)	Nenn Strom (A)	Nennleistung	Größe(keine Welle)	Welle-Bohrungsdurchmesser
SC20091 1:100	DC24V	16	13	300N.CM	6.5A	100W	280*96*135	φ18mm
SC20091 1:80		20	15	1500N.CM				
SC20091 1:60		27	21	1900N.CM				
SC20091 1:50		33	25	2200N.CM				
SC20091 1:40		41	31	1900N.CM				
SC20091 1:30		55	42	1500N.CM				
SC20091 1:20		82	62	1110N.CM				
SC20091 1:15		110	83	830 N.CM				
SC20091 1:10		165	125	560 N.CM				
SC20091 1:7.5		220	167	420 N.CM				
SC20091 1:5		330	250	280 N.CM				

Attention: You can order the shaft from us. For a reduction ratio of 1: 100 you should select 18mm. And for other reduction ratios you should select 14mm shaft. Also, you can also select the single or double output wave according to your request, the images are as follows:

Einzig  
Abtriebswelle



Doppelte  
Abtriebswelle

