

Transmission Reducer Electric worm geared motor Large High power Large torque Industrial machines High transmission high performance

Product Description

Worm gearbox / geared motor is made up of two parts of gearbox and motor

High accuracy worm gear and worm shaft

Easy assembly and networking, high efficiency

High quality, high performance worm gear

High torque can achieve industrial requirement.

Self-locking Function: With self-locking function, ie when the power is turned off, the motor will not run.

Transmission output shaft and the motor shaft are arranged vertically, and therefore, it is widely used in various occasions requiring a particular installation size.

Application: windows and doors opening, pressing, mini-winch, conveyor technology, packaging technology, lifting equipment as well as other occasions.

Technical specifications

Efficiency class: IE2

Type: geared motor

Output power: 100W

Import protection: drip proof / IP50

Working voltage: DC24V

Rated current: 6.5A

Reduction ratio = 1: 600-1:1500

Idle speed: 2.5 -1 rpm

Rated torque: 14000N.cm - 16000N.cm

Diameter of shaft: 25 mm

Box material: zinc alloy, galvanizing

Lifetime:> 2000 hours

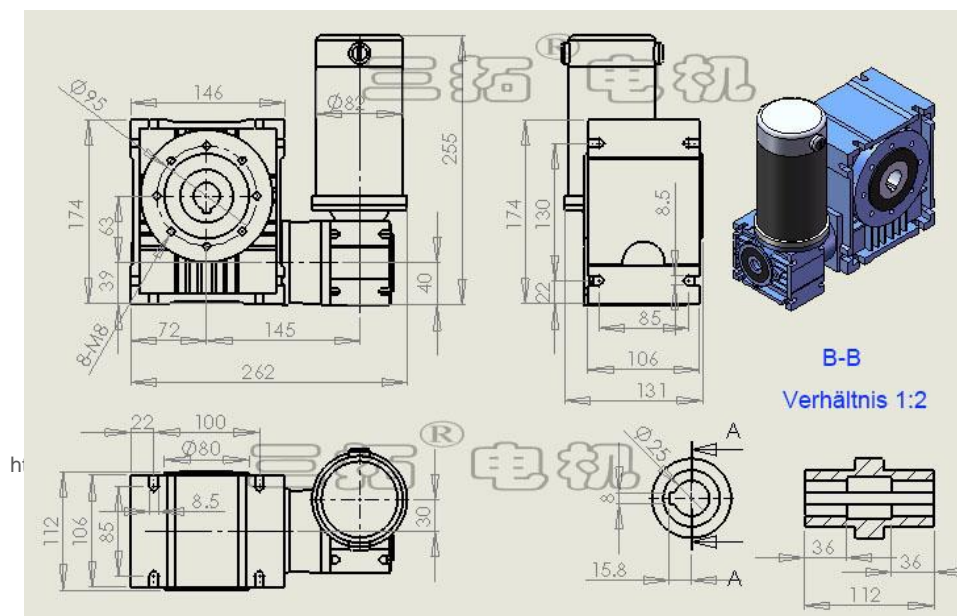
Worm wheels Material: metal

Worm Materials: Cu (Cuprum)

Commutation: Brush

Weight: 9.8kg

size:



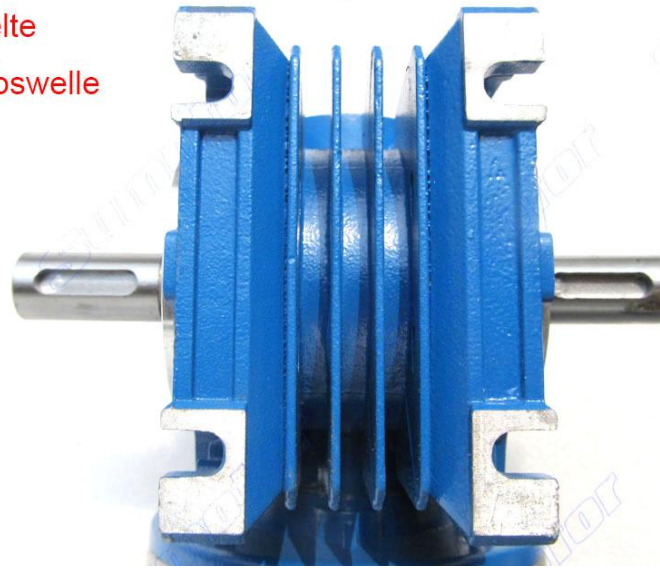
| reduction ratio | Idle speed | Rated torque | schaft |
|-----------------|------------|-----------------------|--------|
| 1: 600 | 2.5r/min | 14000N.cm / 1400kg.cm | 25mm |
| 1: 900 | 1.6 r/min | 16000N.cm / 1600kg.cm | |
| 1: 1200 | 1.2 r/min | 16000N.cm / 1600kg.cm | |
| 1: 1500 | 1 r/min | 16000N.cm / 1600kg.cm | |

Attention: You can order the shaft from us. In addition, you can also choose the one or double output wave according to your requirements, the images are as follows:

Einziges
Abtriebswelle



Doppelte
Abtriebswelle



usage picture

