

## Worm gear motor

Delivery:

1 x worm gear motor

Characteristics:

This type is miniature Worm Gear DC Motor, which can change shaft rotation direction while the wiring positive and negative be changed.

It's also have addition two characteristics:

1 With self-locking, the output shaft can't rotation when switch off, that is self-locking.

2 Gearbox output shaft and motor shaft are come to be a rectangle, it's widely used in various of occasions that require special install size.

According to this characteristics, Worm Gear Motors are widely used in windows and doors opening and household electrical appliances, Car model, Boat model, Robot model, DIY engine, Industry application, house application, home automation ,mini winch and other occasions.

There are many other models of this series Worm Gear Motor in following specification list for your reference.

Specifications:

Efficiency:IE 2

Continuous Current(A):1.5 A

Output Power:8W

Protect Feature:Drip-proof

Type:Gear Motor

Construction:Permanent Magnet

Certification:CCC,CE,ROHS

Torque:500N\*cm-200N.cm

Speed(RPM):5.2 Rpm (No load)-2.4rpm

Commutation:Brush

Voltage(V):DC 12V /6V / 24V

Loading Speed:4 RPM-2rpm

Dimension:118\*42\*32 mm

Shaft Diameter:8 mm

Net Weight:0.38 Kg

Box Materials:Zinc alloy, zincification

Gear Materials:Metal

Worm Wheel Materials:POM

Worm Materials:Cu(Cuprum)

Attention: DC motors should be connected to DC power supply. If you replace the positive and negative poles of the DC power supply, the direction of rotation of the motor will change.

Description:

The worm gear has the self-locking function. That is, the drive shaft will not turn when it is turned off.

Transmission output shaft and motor shaft are arranged vertically that the length of the entire engine output shaft is relatively short as a general transmission motor,

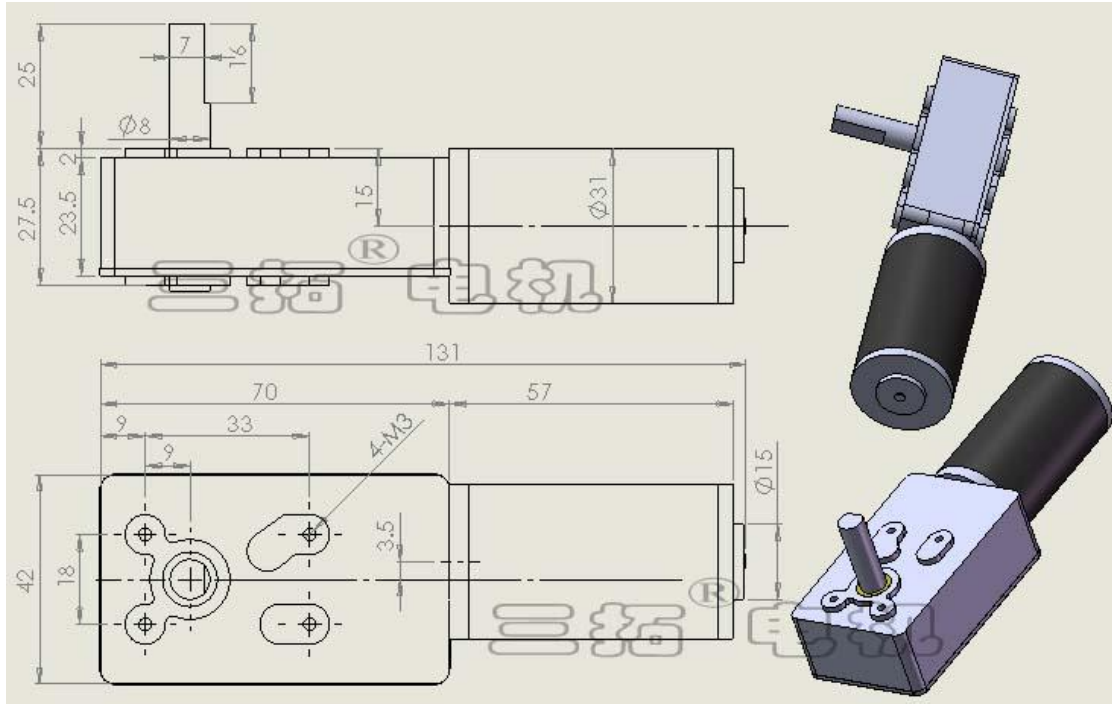
Attention: For these worm gearboxes you can use our accessories together. Such as clutches, wheel, sprocket, switch, smooth shaft, speed controller, fuse.

31CT worm gear motor										
Item	Voltage (V)	No Load Speed (r/min)	Loading Speed (r/min)	Rated Torque (N·cm)	Rated Current (A)	Rated Power (W)	Size	shaft (mm)		Weight
31CT-2.4	DC6V	2.4	2	200	1.5	8	118*42*32 mm	Single / Double D shaft	Single: Φ8*24	0.38 Kg
31CT-2.2	DC 12V	2.2	1.8	400	0.8					
31CT-5		5	4	500	1.5					
31CT-5.2	DC24V	5.2	4	500	1				Dppelte: Φ8*15	

SHENZHEN Lejing INDUSTRY DEVELOPMENT CO.LTD

<http://www.einausschlaten.com/> E-Mail: [sale@einausschalten.com](mailto:sale@einausschalten.com) Whatsapp: +86 183 2644 0199

Single(mm)



Double (mm)

