

Item specifics

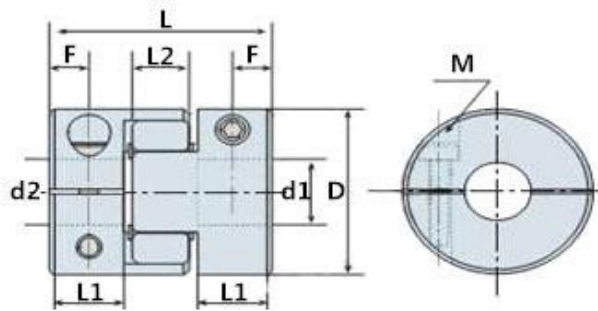
Material: Seven-Level Aviation Aluminum
 Standard or Nonstandard: Standard
 Structure: Jaw / Spider
 Flexible or Rigid: Flexible
 Model Number: LX-Serie
 Out Diameter: please see picture
 Length: 22 mm-114
 Inner Dia.: 3-45mm
 Screws: yes
 Body Material : Aluminum Alloy
 Sleeve Material: Polyurethane
 Max. Rotation Speed: please see picture

Features:

High strength Aluminum Alloy & Polyurethane
 Simple structure, Zero rotation clearance, high sensitivity.
 High transmission torque, convenient installation.
 The same characteristics as reverse.
 Flexible connection, can absorb shock, radial compensation ,Angle and axial deviation.
 Often used for stepping motor and servo motor.
 Anti-oil, can absorb vibration, compensate for radial, angular and axial misalignment.

Widely used in CNC machine tools, servo motors, wires carry the connection, elevator, engraving machine, woodworking machinery, testing equipment, stepper motors, textile machinery, ceramic machinery, glass machinery, testing equipment, capacitor equipment, packaging machinery, etc.

Modell	Standard-Innendurchmesser																				
	3	4	4.5	5	6	6.35	7	8	9.525	10	11	12	14	15	16	18	19	20			
LX-14	●	●	●	●	●																
LX-20		●	●	●	●	●	●	●													
LX-25				●	●	●	●	●	●												
LX-30					●	●	●	●	●	●	●	●	●	●							
LX-40								●	●	●	●	●	●	●	●	●	●				
Modell	Standard-Innendurchmesser																				
	10	12	14	15	16	18	19	20	22	24	25	26	28	30	32	35	40	45	50	55	60
LX-45	●	●	●	●	●	●	●	●	●	●											
LX-55			●	●	●	●	●	●	●	●	●	●	●	●							
LX-65							●	●	●	●	●	●	●	●	●	●					
LX-80									●	●	●	●	●	●	●	●	●	●			
LX-95														●	●	●	●	●	●	●	●
LX-100																●	●	●	●	●	●



Parameter	Größe					Bolzen	Anziehen Drehmoment	Max. Um-drehung	max. Drehmoment	Nenn-drehmoment	Torsionssteifigkeit	Trägheitsmoment	Gewicht	Versatz		
														Deklination	exzentrisch	Achsabweichung
Modell	D	L	L1	L2	F	M	(N.m)	min ⁻¹	(N.m)	(N.m)	(N.m / rad)	kg.m ²	g	(°)	(mm)	(mm)
LX-14	14	22	7	6	3.5	M2.5	1	19000	2.2	1.1	46	5.9*10 ⁻⁶	26	1.0	0.02	+0.0600
LX-20C	20	30	20	8	5	M2.5	1	17,000	5.6	2.8	55	6.7*10 ⁻⁶	37	1.0	0.02	+0.0600
LX-25C	25	33	10	9	5	M3	1.7	16,000	12	6	63	7.6*10 ⁻⁶	42	1.0	0.02	+0.0600
LX-30C	30	35	11.3	11	5.5	M4	3.5	12,000	14	7	72	8.5*10 ⁻⁴	50	1.0	0.02	+0.0600
LX-40C	40	66	25	14	10	M5	8	10,000	64	32	550	1.1*10 ⁻³	160	1.0	0.02	+0.0600
LX-55	55	78	30	16	13	M6	7	8,000	92	46	1,500	4.4*10 ⁻³	350	1.0	0.02	+0.0600
LX-65	65	90	35	18	15	M8	15	6,000	218	109	2,800	9.0*10 ⁻³	570	1.0	0.02	+0.0600
LX-80	80	114	45	21	17	M8	15	4,600	270	135	3,500	1.8*10 ⁻²	968	1.0	0.02	+0.0600
LX-95	95	126	50	25	19	M10	25	3,800	520	260	4,600	2.0*10 ⁻²	1,820	1.0	0.02	+0.0600
LX-100	104	140	56	28	21	M12	35	3,400	860	430	5,800	3.2*10 ⁻²	2,650	1.0	0.02	+0.0600