

04C 13 Zähne Kettenräder Pitch 6.35mm 1/4 "Bohrung 6mm Industrie Getriebe Driving für Motor hohe Qualität für Rollenkette 04C

Parameter:

Material: Stahl

Standard: ISO

Modellnummer: 04C-30

Serie: 04C

Kettenteilung: 6,35 mm, 1/4 Zoll

Zähnezahl: 13 Zähne

Zahnradbreite (mm): 2.8

Gesamtbreite (mm): 16

Rollen Durchmesser (mm)/ Bohrungsdurchmesser: 6mm

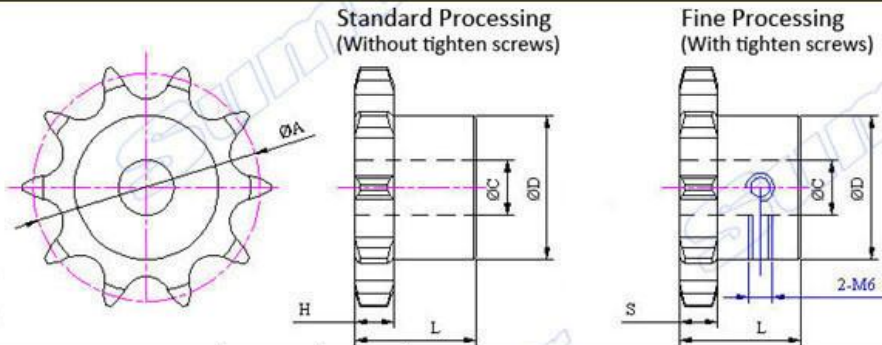
Schrauben anziehen:keine

Nettogewicht: 0.25 Kg

Material: 45 # Stahl

Das Kettenrad Loch Präzision, einfach zu benutzen und wir werden auch kostenlos einen Inbusschlüssel senden.

Steel Sprockets and Chain Specification List



节距 Pitch	型号 Model	齿数 Gear Number	外形尺寸 Dimension (mm)					Net Weight (Kg)	备注 Remark	
			齿宽 Gear Width H	总厚 Overall Width L	凸台 Plate Dia. D	内孔 Bore Dia. C	分度圆 P Circle Dia. A			
for 04C Chain Pitch=6.35mm=1/4" 	04C-10F	10	2.8	16	16	6.7	18	20.5	0.03	Fine Processing (with tighten screws)
	04C-15F	15			23	6.8	30.5	0.05		
	04C-20F	20			33	8	40.6	0.12		
	04C-30F	30			50	10	60.7	0.25		
	04C-10	10			16	6	20.5	0.03		
	04C-13	13			21	6	26.5	0.05		
	04C-15	15			25	6	30.5	0.07		
	04C-20	20			33	8	40.6	0.12		
	04C-25	25			38	8	50.6	0.2		
	04C-30	30			50	8	60.7	0.25		
	04C-35	35			50	10	70.8	0.28		
	04C-40	40			55	10	80.8	0.35		
04C-50	50	60	10	101.1	0.5					
Supply Chain: Peremeter 508mm/20inch, 80Links. 5080mm/200inch, 800links. We have 04C 16Teeth Tensioner Sproket										
for 06B Chain Pitch=9.525mm=3/8" 	06B-10	10	5	20	20	10	30.8	0.06	Standard Processing (without tighten screws)	
	06B-15	15			32	10	45.8	0.16		
	06B-18	18			40	10	54.8	0.25		
	06B-25	25			48	12	75.8	0.42		
	06B-30	30			24	50	12	91.1		0.5
	06B-40	40			26	60	16	121.4		0.85
	06B-50	50			26	70	16	151.7		1.2
Supply Chain: Peremeter 1524mm/60inch, 160Links										
for 08B Chain Pitch=12.7mm=1/2" 	08B-10	10	7	22	26	10	40.4	0.11		
	08B-13	13			35	10	52.6	0.2		
	08B-16	16			24	45	12	64.7		0.35
	08B-20	20			54	12	81.2	0.55		
	08B-30	30			27	65	16	121.4		1.1
	08B-40	40			30	78	16	161.8		1.85
Supply Chain: Peremeter 1524mm/60inch, 120Links										

Remarks: When choose Standard Processing sprockets, please attention, Bore Diameter maybe not same as list, please subject to the model detail page, it's without tighten screws, it need process Key-Way or screw hole, if need us process contact us(PROCESS MOQ. is 5pcs, need exceed fee), aslo provide bore Dia. extend.