

DC 6V 12V smallest Worm gear motor Low speed Ultra mini gear box Reversible Electric engine for Smart car Robot Lock

delivery

1 x Motor

Item specifics

Commutation:Brush
Usage:Car,Fan,Electric Bicycle,Home Appliance,Boat
Output Power:0.1 W
Construction:Permanent Magnet
Model Number:SC12MN
Protect Feature:Drip-proof
Continuous Current(A):0.18 A
Efficiency:IE 2
Torque:7 5 2 8 6 3 N*cm
Type:Gear Motor
Usage:Camera, automatic equipment, DIY, tank, robot, car model
Loading Speed:3 8 16 7 17 32 rpm
Rating Torque:4 10 20 9 22 42 N*cm
Dimension:"36x17x10 mm 1.42x0.67x0.39 inch"
Shaft Diameter:3 mm
Net Weight:15 g
Gear Materials:Metal
Worm Wheel Materials:Metal
Worm Materials:Metal
Voltage(V):6V DC; 12V DC

Datasheet

SC12MN Mini DC Worm Gear Motor

Item	Voltage (V)	No Load Speed (r/min)	Loading Speed (r/min)	Rated Torque (N cm)	Rated Current (A)	Rated Power (W)	Dimension (exclude shaft)	Shaft (mm)	Net Weight
SC12MN-4		4	3	7					
SC12MN-10	DC 6V	10	8	5	0.18				
SC12MN-20		20	16	2			36x17x10 mm	Single	
SC12MN-9		9	7	8		0.1	1.42x0.67x0.39 inch	D shaft	15 g
SC12MN-22	DC 12V	22	17	6	0.18				
SC12MN-42		42	32	3					

This type is a miniature DC Worm Gear Motor, reversible, variable and self-lock.

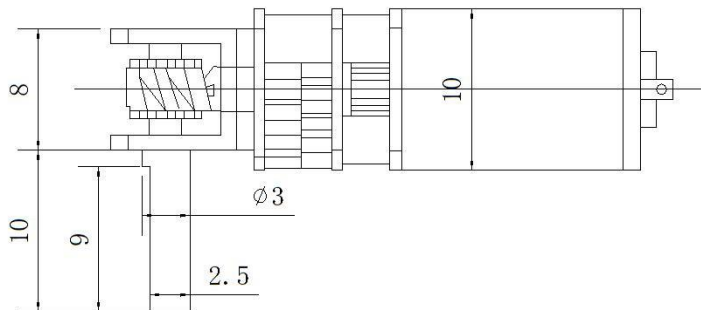
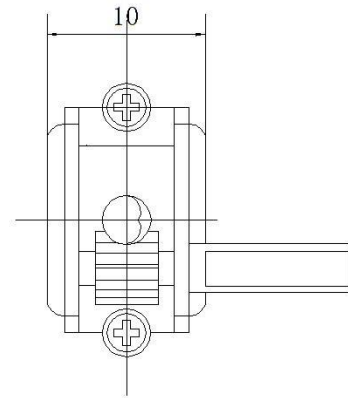
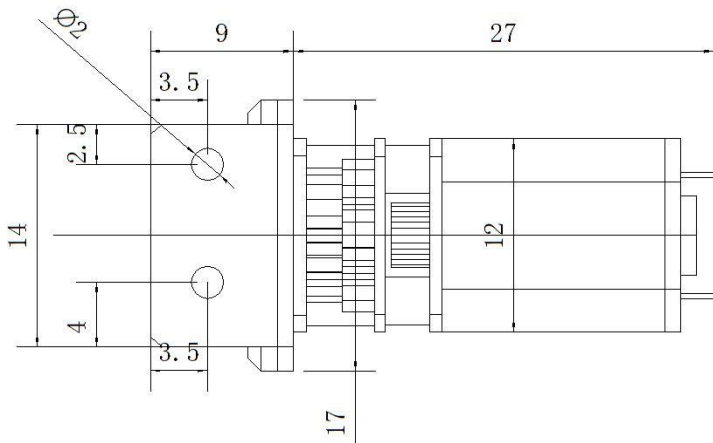
1). With self-locking function, the output shaft can't be rotated by certain force when switching off.

2). Gearbox output shaft and motor shaft are 90 degrees, it's widely used in various of occasions that require special install size.

According to these characteristics, Worm Gear Motors are widely used in windows and doors opening and household electrical appliances, Car model, Boat model, Robot model, DIY engine, Industry application, house application, home automation, mini winch and other occasions.

Dimension Drawing

Unit: mm



You may need:

