

Parameter

Power Supply (Operating Voltage): DC 12V
Relay: 10A Relay
Output current: Less than 3A
Current: <=7ma
Sensitivity: -107 dBm
Operating Temperature: -40 'C ~ 80' C
Size: 74 mm x 55 mm x 28 mm
Frequency: 433 MHz

Work mode adjust

Toggle: jumper in S1+T
Momentary: jumper in S1
Latch: jumper in S1+L

Receiver work mode

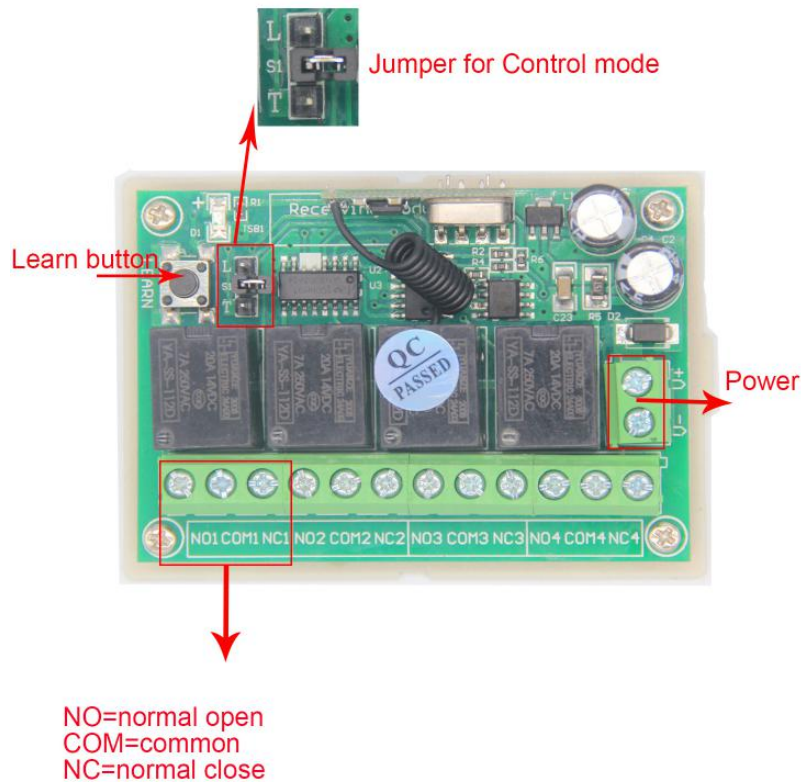
1) 1-4 Toggle/Self-Lock: Press->On; Press again->Off
Press one button for one time is working/ON ,press the same button again is stop/OFF. (press 1 ,1 relay works,press 1 again,1 relay stops working,2-4 works like this)

2) 1-4 Latched/Inter-Lock: Press->On; Press other button->Off
Press one button is working/ON ,press another button is stop/OFF.(press 1,1 relay works,press 2,1 relay stops working,2 relay works,3-4 works like this)

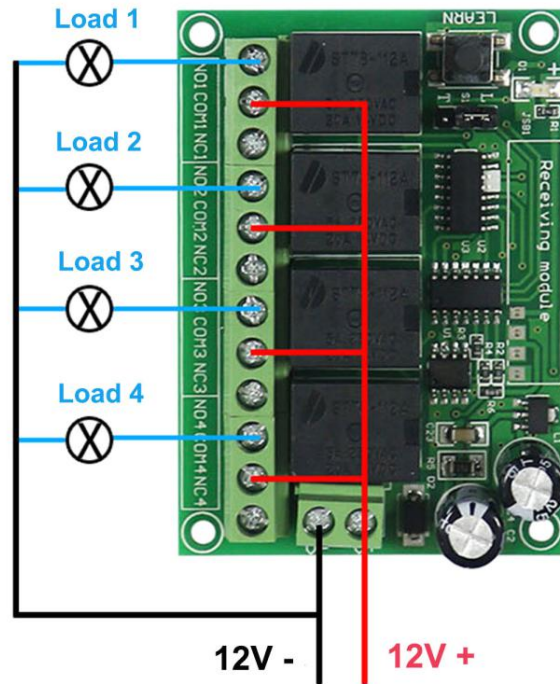
3) 1-4 Momentary/Jog: Press and hold->On; Release->Off
Keep pressing one button is working /ON. loosen your finger is stop/OFF.(press 1 and hold,1 relay works,release key 1,1 relay stops working,2-4 works like this)

Learn code and Remove Code

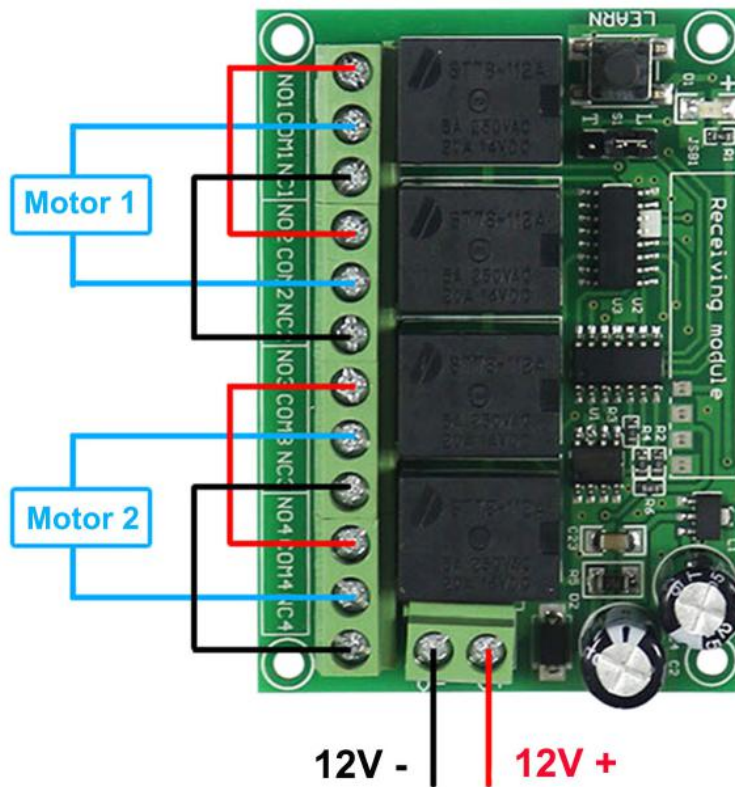
1. Learning code: Press the learning button, the indicator flashes, loosen your finger, press any button of the transmitter, the indicator flashes 2 times and off, it means you learn it successfully .
2. It can learn more than 12 PCS PT2262 or EV1527 chip with the different code wireless remote control.
3. Clear code: Press the learning button about 8 seconds , the indicator turns on to off, it means the codes have been removed successfully.



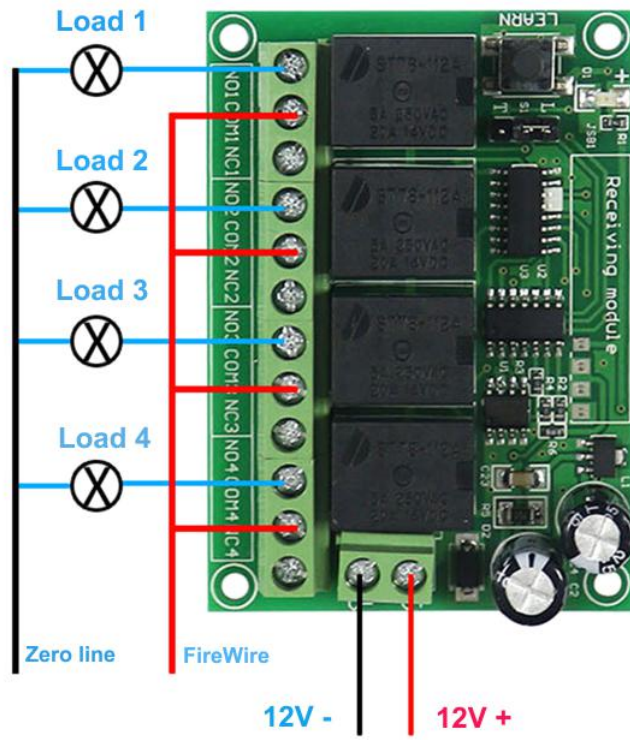
Control 12V voltage wiring diagram



Control 12V motor forward backward



Control other voltage wiring diagram



Control Electric Door Wiring Diagram

